





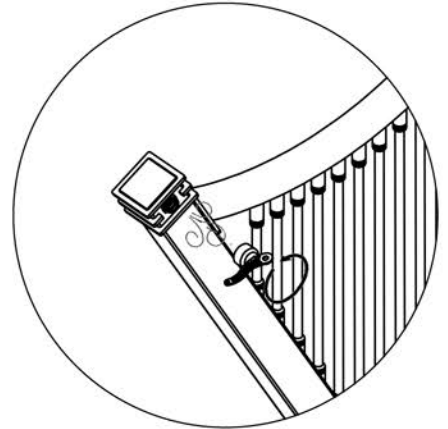
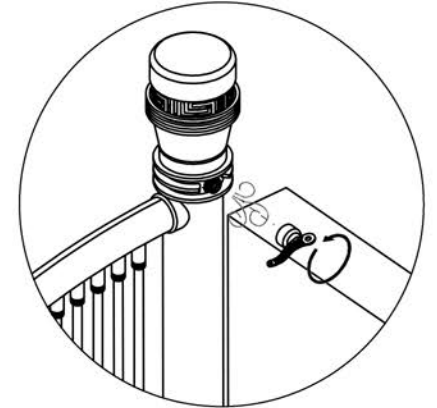


Key	Component	Qty
	A Bleeding Valve Key	2
	B Bleeding Valve 1/2 " Cap	2
	C Bleeding Valve 1/2 "	2
	D Screw Cap	7
	E Screw	7
	F Wall Plug	7



Assembly Instructions

Remove bleeding valve cap (B). Use bleeding valve key (A) to turn bleeding valve on final installation.

Accurately mark out 7 screw holes on floor.

Drill 7 (Ø8mm) holes for floor fixing screws (E) and place the wall plugs (F) into the holes.

Set the radiator holes according to drilled holes and then fix the radiator with screws (E).

Fit the screw caps (D) by rotating.